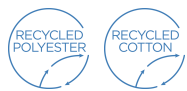


KI5229

## Recycled cotton denim look large shopper

- Durable large bag, made from recycled cotton and recycled polyester.
- Resistant handles made from the same material as the body of the bag.
- Recycled material: for a beautiful and stable denim colour.

70% recycled cotton/30% recycled polyester. The handles are made from the same material as the body of the bag. As it is recycled, the material does not lose its colour.



### More information

#### Logistic



#### Country of origin



BD - Bangladesh

#### Customs code



42029298



Recycled Denim

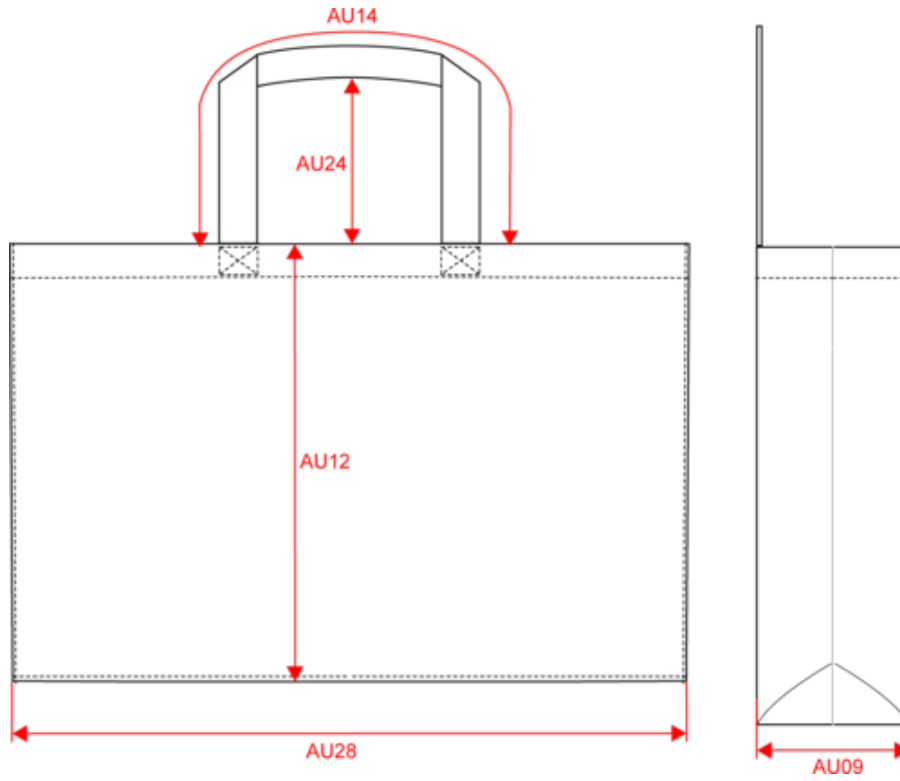
#### Washing instructions



KI5229

## Recycled cotton denim look large shopper

### Dimensions (cm)



Measurements in cm	One size
AU09 - Depth of bottom part	14.00
AU12 - Total height	37.00
AU14 - Handle length	70.00
AU24 - Handle height	30.00
AU28 - Bottom width	49.00



KI5229

## Recycled cotton denim look large shopper

### Colours information



**Recycled Denim**

RVB :  
Pantone C :  
Pantone TCX :

**Logistic**



1



50

Sizes	Width (cm)	Height (cm)	Length (cm)	Net weight (kg)	Gross weight (kg)	Pieces/Box	Pieces/Bundle
One Size	40.00	0.00	60.00	0.00000	0.00000	50	1